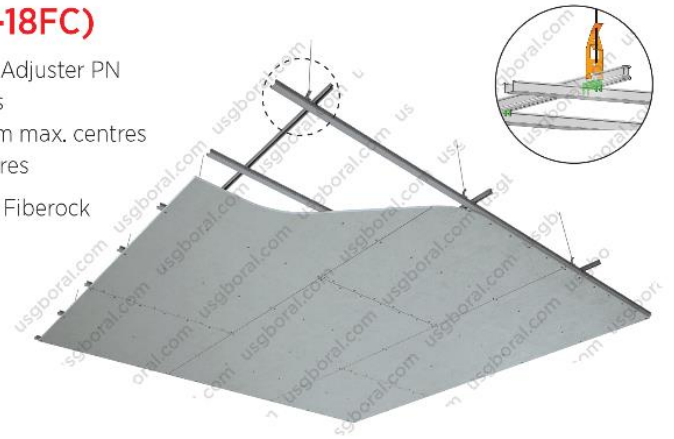
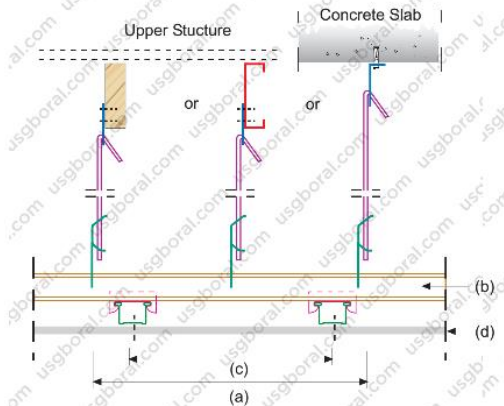


Standard Ceiling Furring > 100 m² (CS-18FC)

- Frame : JayaBMS Hanger System (Bracket PN 220/221, Clip Adjuster PN 223/224, Rod PN 225/226) at 1200mm max. centres
 JayaBMS Top Cross Rail PN 200/201/202 at 1200mm max. centres
 JayaBMS Furring PN 204/205 at 600mm max. centres
- Board : 1 layer of Jayaboard Sheetrock 9mm, 12mm, or USG Fiberock Aqua-tough 6.5mm
- Weight : ± 8 Kg/m²

Configuration:



Plasterboard (d)	Material		Max frame space (mm)
Jayaboard Sheetrock 12mm	Suspension Clip PN 223/224	a	1200
	Top Cross Rail PN 200/201/202	b	1200
	Furring Channel PN 204/205	c	600
Jayaboard Sheetrock 9mm or USG Fiberock Aqua-tough 6.5mm	Suspension Clip PN 223/224	a	1200
	Top Cross Rail PN 200/201/202	b	1200
	Furring Channel PN 204/205	c	400

Note:
 All plasterboard joints shall be staggered.
 Deflection limit L/360
 Allowable for area more than 100 m²
 Performance values are for imperforate, jointed systems using only USG Boral JayaBMS components and installed to the USG Boral Indonesia specification given.